



Angel India Cad Cam Pvt. Ltd.

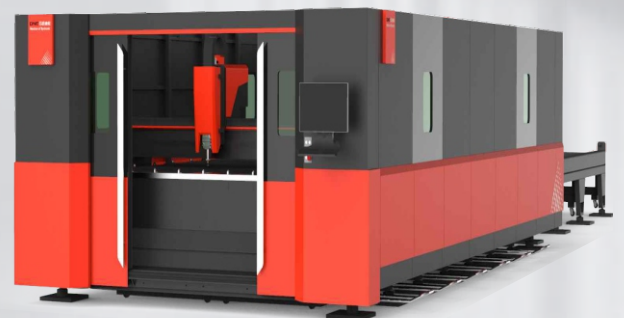
Angel India

D-Energy

Fiber Laser Cutting Machine



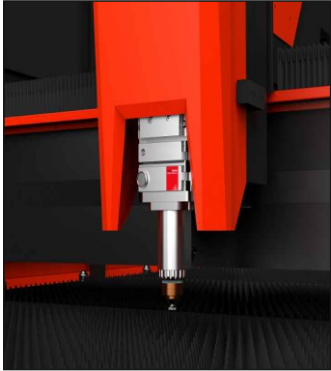
- 1 Innovative design
- 2 Steady structure
- 3 Lasting drive
- 4 Safe protection
- 5 Easy operation
- 6 Convenient extension



www.angelindiaimpex.com



Samples:



Technical Parameters

Model	D-Energy							
Laser source	Fiber laser source (optional)							
Format (Customizable)	1530	1540	1560	2040	2060	2560	2580	25120
Power of laser	3000W	4000W	6000W	8000W	10000W	12000W	15000W	
Repositioning accuracy	0.02mm							
Max. Cutting Speed	Depending on the materia and its thickness							
Power consumption of complete machine	≤24KW	≤30KW	≤40KW	≤50KW	≤80KW	≤100KW	≤130KW	
Power supply	380V / 50Hz							
Footprint	15580*5670mm for cutting 2500*6000mm							